

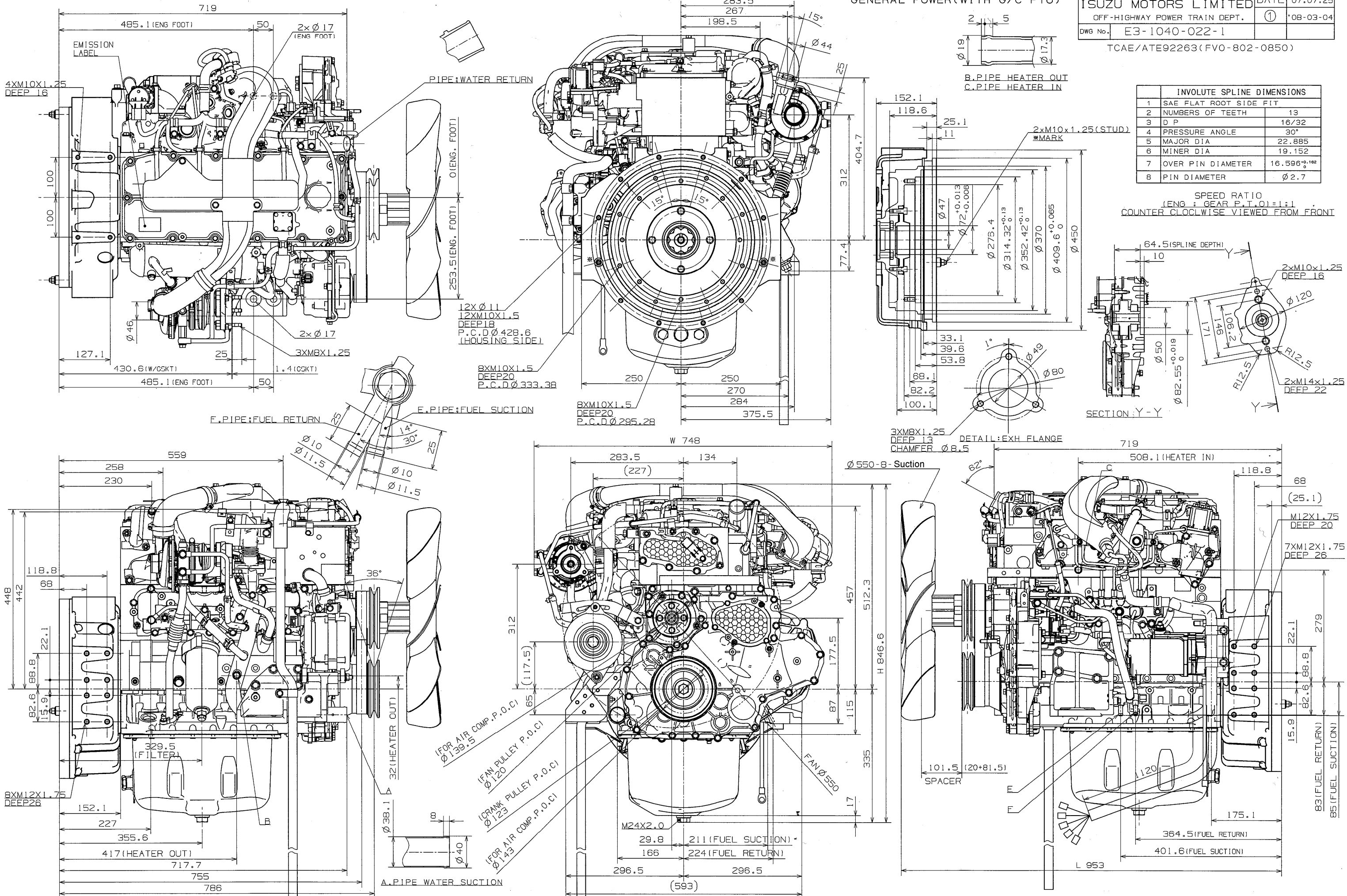
# ISUZU 4JJ1T DIESEL ENGINE

AJ-4JJ1TYBW-02

GENERAL POWER (WITH G/C PTO)

ISUZU MOTORS LIMITED	DATE	'07.07.25
OFF-HIGHWAY POWER TRAIN DEPT.	①	'08-03-04
DWG No.	E3-1040-022-1	

TCAE/ATE92263(FVO-802-0850)



INVOLUTE SPLINE DIMENSIONS	
1	SAE FLAT ROOT SIDE FIT
2	NUMBERS OF TEETH 13
3	D P 16/32
4	PRESSURE ANGLE 30°
5	MAJOR DIA 22.885
6	MINOR DIA 19.152
7	OVER PIN DIAMETER 16.596 <sup>+0.102</sup>
8	PIN DIAMETER Ø 2.7

SPEED RATIO  
(ENG : GEAR P.T.O) = 1:1  
COUNTER CLOCKWISE VIEWED FROM FRONT

