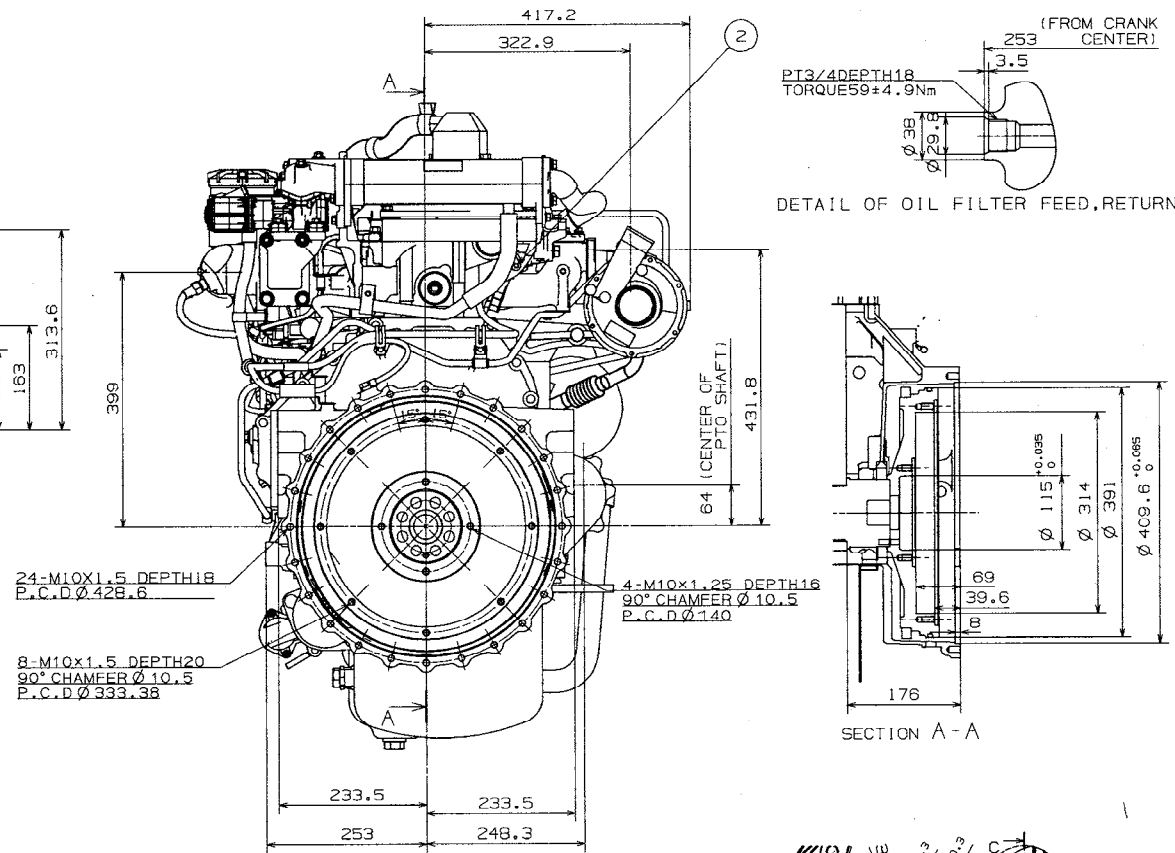
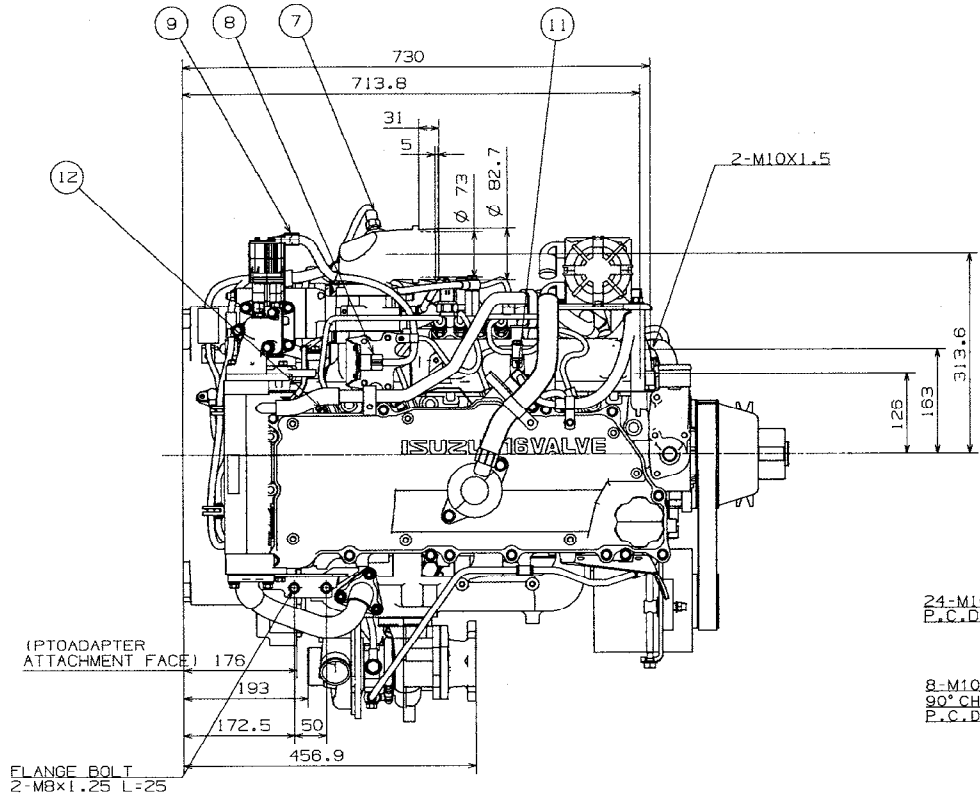


ISUZU 4HK1X DIESEL ENGINE

BI-4HK1XYGV-01(24V)/-02(12V) FOR GENERATOR

ISUZU MOTORS LIMITED DATE: '06.12.28
OFF-HIGHWAY POWER TRAIN DEPT.
DRAW No. E4-1033-024-0



SENSOR LIST: ENGINE SIDE

No.	PART-NAME
①	NE Sensor (CRANK)
②	G Sensor (CAM)
③	COOLANT TEMP. Sensor
④	FUEL TEMP. Sensor
⑤	OIL Press. Sensor
⑥	RAIL Press. Sensor
⑦	BOOST TEMP. Sensor
⑧	BOOST Press. Sensor
⑨	EGR VALVE
⑩	SUPPLY PUMP
⑪	INJECTOR
⑫	GLOW PLUG
⑬	OVER HEAT SW...

